

Ex Sounders 110 dB(A) BExS 110 d/e, BExDS 110 d/e



- 32 different tones can be set; UKOOA/PFEER conform
- 110/117 dB (A) ± 3 dB (A) sound pressure
- 3 externally selectable tones – positive and negative control possible in the case of DC devices
- quartz-stabilised tone synchronisation
- adjustable volume (except 12 V DC)
- ATEX and optionally IECEx approval
- housing made of die-cast aluminium LM6, horn made of ABS
- stainless steel mounting bracket for 360° positioning
- categories 2G and 3G (Zones 1 and 2)
- also available as categories 2D & 3D (Zones 21 & 22) for dust zones
- amendment 2; extended approval/temperature range + 70 °C

| | | | | |
|--|--|--|--|--|
| | | | | |
|--|--|--|--|--|

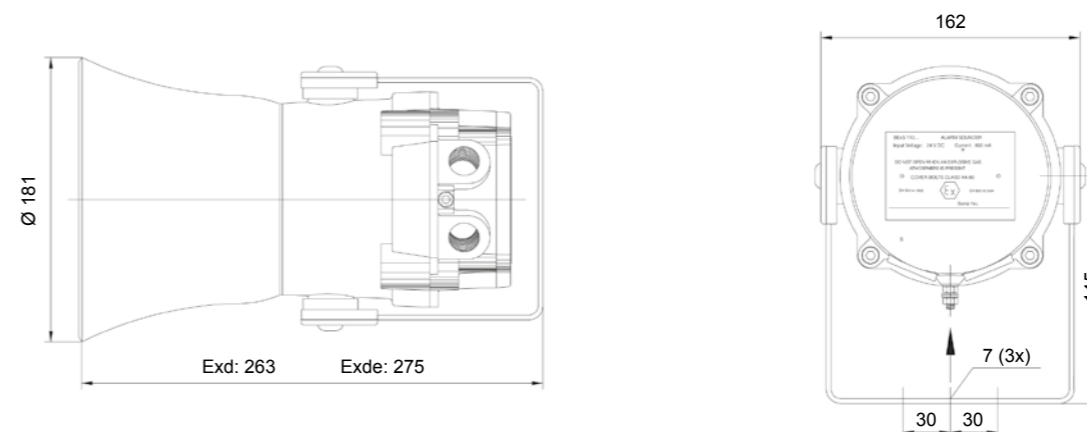
| Electrical data | BExS 110 d/e / BExDS 110 d/e | | | | |
|-----------------------------|------------------------------|------------|---------|---------|---------|
| Rated voltage | 230 V AC | 115 V AC | 48 V DC | 24 V DC | 12 V DC |
| Rated frequency | 50 / 60 Hz | 50 / 60 Hz | | | |
| Operating range | ± 10% | ± 10% | ± 25% | ± 25% | ± 25% |
| Nominal current consumption | 56 mA | 110 mA | 130 mA | 250 mA | 195 mA |

| Mechanical data | BExS 110 d/e | BExDS 110 d/e |
|---------------------------|--|--|
| Protection system | "d" = IP 67; or "e" = IP 66 | |
| Explosion protection | II 2G Ex d IIC T4 / II 2G Ex de IIC T4 II 2G Ex d IIB T4 / II 2G Ex de IIB T4 | II 2G/D Ex d IIC T4 100°C / II 2G/D Ex de IIC T4 100°C II 2G/D Ex d IIB T4 115°C / II 2G/D Ex de IIB T4 115°C |
| Category (area of use) | 2G (Zone 1) 3G (Zone 2) | 2G (Zone 1) / 2D (Zone 21) 3G (Zone 2) / 3D (Zone 22) |
| Certificate of conformity | KEMA 99 ATEX 7906 | KEMA 99 ATEX 6312 |
| Testing body | KEMA | KEMA |
| Sound pressure level | 110 dB (A) ± 3 dB (A) | 110 dB (A) ± 3 dB (A) |
| Temperature class T | IIC: T4 @ - 50 °C ... + 55 °C Ta IIB: T4 @ - 50 °C ... + 70 °C Ta | T4 @ - 50 °C ... + 55 °C Ta |
| Storage temperature | - 50 °C ... + 70 °C | |
| Relative humidity | 90% | |
| Duty cycle | 100% | |
| Material | housing: die-cast aluminium LM6, similar to RAL 3000 (flame red) horn: ABS self-extinguishing, similar UL 94 VO & 5VA FR ABS, Ex II 2D anti-static ABS, black | |
| Connecting terminals | Exd: 1 x 4 mm ² or 2 x 2.5 mm ² Exde: 2 x 2.5 mm ² | |
| Cable entry | 2 / 1 x closed, 1 x open (M20), optionally PG13.5 or 1/2" NPT | |
| Weight | Exd: AC: 3.42 kg / DC: 3.16 kg Exde: AC: 3.68 kg / DC: 3.42 kg | |

Options / Accessories

| | | |
|--|--|--------------|
| | | Exd BExDS |
|--|--|--------------|

Dimensions



Tone table

| Tone | Description - Basic tone | Stage | | Tone | Description - Basic tone | Stage | |
|------|---|-------------------|-------|------|--|-------------------|------|
| | | 2 | 3 | | | 2 | 3 |
| 1 | Continuous tone | 1000 Hz | 31 11 | 18 | Interrupted tone, Sweden SS031711 (air raid warning) | 660 Hz | 2 5 |
| 2 | Alternating tone, UK BS5839-1 (fire alarm, railway crossing) | 1000 Hz / 800 Hz | 17 5 | 19 | Sweeping, France NFC48-265 | 1600 Hz / 1400 Hz | 2 5 |
| 3 | Slow whoop | 1200 Hz / 500 Hz | 2 5 | 20 | Continuous tone, Sweden SS031711 (all-clear signal) | 660 Hz | 2 5 |
| 4 | Sweeping (fast) | 1000 Hz / 800 Hz | 6 5 | 21 | Alternating tone | 554 Hz / 440 Hz | 2 5 |
| 5 | Continuous tone | 2400 Hz | 3 27 | 22 | Interrupted tone | 544 Hz | 2 5 |
| 6 | Sweeping | 2900 Hz / 2400 Hz | 7 5 | 23 | Interrupted tone | 800 Hz | 6 5 |
| 7 | Sweeping (fast) | 2900 Hz / 2400 Hz | 10 5 | 24 | Sweeping (medium), UK BS5839-1 | 1000 Hz / 800 Hz | 29 5 |
| 8 | Sweeping | 1200 Hz / 500 Hz | 2 5 | 25 | Sweeping | 2900 Hz / 2400 Hz | 29 5 |
| 9 | Sawtooth, DIN tone 33404-3 Germany (emergency signal), PFEER PTAP | 1200 Hz / 500 Hz | 15 2 | 26 | Simulated bell | 1450 Hz | 2 1 |
| 10 | Alternating tone | 2900 Hz / 2400 Hz | 7 5 | 27 | Continuous tone | 554 Hz | 26 5 |
| 11 | Interrupted tone | 1000 Hz | 31 1 | 28 | Continuous tone | 440 Hz | 2 5 |
| 12 | Alternating tone | 1000 Hz / 800 Hz | 4 5 | 29 | Sweeping (fast), UK BS5839-1 | 1000 Hz / 800 Hz | 7 5 |
| 13 | Interrupted tone | 2400 Hz | 15 5 | 30 | Interrupted tone, Australia AS2220, AS1610, AS1670 | 420 Hz | 32 5 |
| 14 | Interrupted tone | 800 Hz | 4 5 | 31 | Sweeping, IMO 3d, Germany KTA3901 evacuation alarm | 1200 Hz / 500 Hz | 11 1 |
| 15 | Continuous tone | 800 Hz | 2 5 | 32 | Slow whoop, Australian evacuation alarm AS2220 | 1200 Hz / 500 Hz | 26 1 |
| 16 | Interrupted tone | 554 Hz / 440 Hz | 18 5 | | | | |
| 17 | Alternating tone, France NFS 32-001 (fire alarm) | 660 Hz | 2 27 | | | | |

The sounder can be set externally to the respective tones of stage 2 & 3. Tone 2 is preset.

Ordering details

| Article numbers | BExS 110D | | BExS 110E | | BExDS 110D | BExDS 110E |
|-----------------|-----------------|-----------------|-----------------|-----------------|-----------------|-----------------|
| Rated voltage | 230 V AC | 24 V DC | 230 V AC | 24 V DC | 230 V AC | 230 V AC |
| | 320 80 10 0 000 | 320 80 80 0 000 | 320 82 10 0 000 | 320 82 80 0 000 | 320 75 10 0 000 | 320 85 10 0 000 |

Article numbers for other voltages on request

Ex Sounders 117 dB(A) BExS 120 d/e, BExDS 120 d/e



- 32 different tones can be set; UKOOA/PFEER conform
- 117 dB (A) ± 3 dB (A) sound pressure
- 3 externally selectable tones – positive and negative control possible in the case of DC devices
- quartz-stabilised tone synchronisation
- adjustable volume (except 12 V DC)
- ATEX and optionally IECEx approval
- housing made of die-cast aluminium LM6, horn made of ABS
- stainless steel mounting bracket for 360° positioning
- categories 2G and 3G (Zones 1 and 2)
- also available as categories 2D & 3D (Zones 21 & 22) for dust zones
- amendment 2; extended approval/temperature range + 70 °C

| | | | | |
|------------------------|-----------------------|---------------------------|-------------------|-----------------------|
| | IP 66 IP 67 | + 70 °C - 50 °C | EN 54-3 | VdS G209081 |
| max. covering distance | Protection system | Operating temperature | Exd 24 V DC | Exd 24 V DC |

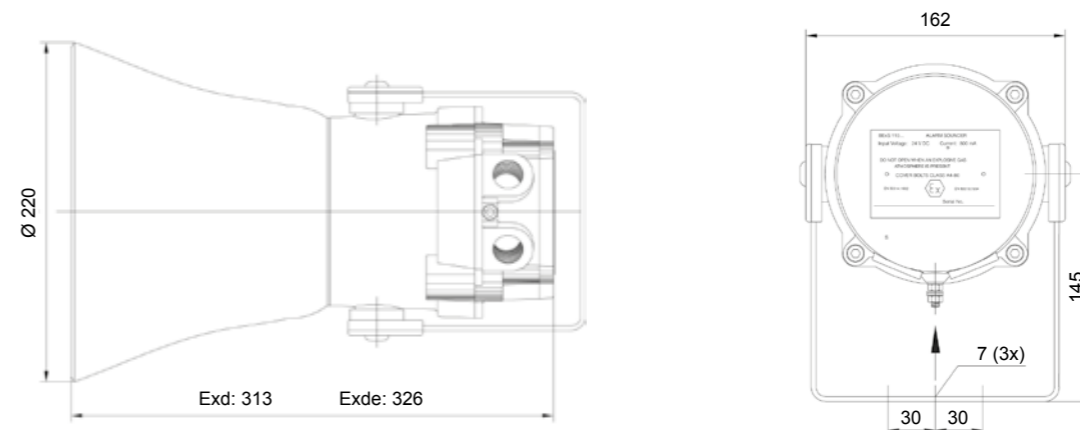
| Electrical data | BExS 120 d/e / BExDS 120 d/e | | | | |
|-----------------------------|------------------------------|------------|---------|---------|---------|
| Rated voltage | 230 V AC | 115 V AC | 48 V DC | 24 V DC | 12 V DC |
| Rated frequency | 50 / 60 Hz | 50 / 60 Hz | | | |
| Operating range | ± 10% | ± 10% | ± 25% | ± 25% | ± 25% |
| Nominal current consumption | 90 mA | 180 mA | 420 mA | 800 mA | 850 mA |

| Mechanical data | BExS 120 d/e | BExDS 120 d/e |
|---------------------------|--|--|
| Protection system | "d" = IP 67; or "e" = IP 66 | |
| Explosion protection | II 2G Ex d IIC T4 / II 2G Ex de IIC T4 II 2G Ex d IIB T4 / II 2G Ex de IIB T4 | II 2G/D Ex d IIC T4 100°C / II 2G/D Ex de IIC T4 100°C II 2G/D Ex d IIB T4 115°C / II 2G/D Ex de IIB T4 115°C |
| Category (area of use) | 2G (Zone 1) 3G (Zone 2) | 2G (Zone 1) / 2D (Zone 21) 3G (Zone 2) / 3D (Zone 22) |
| Certificate of conformity | KEMA 99 ATEX 7906 | KEMA 99 ATEX 6312 |
| Testing body | KEMA | KEMA |
| Sound pressure level | 117 dB (A) ± 3 dB (A) | 117 dB (A) ± 3 dB (A) |
| Temperature class T | IIC: T4 @ - 50 °C ... + 55 °C Ta IIB: T4 @ - 50 °C ... + 70 °C Ta | T4 @ - 50 °C ... + 55 °C Ta |
| Sound level reduction | by - 9 dB | |
| Storage temperature | - 50 °C ... + 70 °C | |
| Relative humidity | 90% | |
| Duty cycle | 100% | |
| Material | housing: die-cast aluminium LM6, similar to RAL 3000 (flame red) horn: ABS self-extinguishing, similar UL 94 VO & 5VA FR ABS, Ex II 2D anti-static ABS, black | |
| Connecting terminals | Exd: 1 x 4 mm ² or 2 x 2.5 mm ² Exde: 2 x 2.5 mm ² | |
| Cable entry | 2 / 1 x closed, 1 x open (M20), optionally PG13.5 or 1/2" NPT | |
| Weight | Exd: AC: 3.88 kg / DC: 3.42 kg Exde: AC: 4.14 kg / DC: 3.38 kg | |

Options / Accessories

| | | |
|--|-----------------------------------|--------------|
| | IECEx No SIM 04.0001 | Exd BExDS |
|--|-----------------------------------|--------------|

Dimensions



Tone table

| Tone | Description - Basic tone | Stage | | Tone | Description - Basic tone | Stage | | |
|------|---|-------------------|----|------|--------------------------|--|----|---|
| | | 2 | 3 | | | 2 | 3 | |
| 1 | Continuous tone | 1000 Hz | 31 | 11 | 18 | Interrupted tone, Sweden SS031711 (air raid warning) | 2 | 5 |
| 2 | Alternating tone, UK BS5839-1 (fire alarm, railway crossing) | 1000 Hz / 800 Hz | 17 | 5 | 19 | Sweeping, France NFC48-265 | 2 | 5 |
| 3 | Slow whoop | 1200 Hz / 500 Hz | 2 | 5 | 20 | Continuous tone, Sweden SS031711 (all-clear signal) | 2 | 5 |
| 4 | Sweeping (fast) | 1000 Hz / 800 Hz | 6 | 5 | 21 | Alternating tone | 2 | 5 |
| 5 | Continuous tone | 2400 Hz | 3 | 27 | 22 | Interrupted tone | 2 | 5 |
| 6 | Sweeping | 2900 Hz / 2400 Hz | 7 | 5 | 23 | Interrupted tone | 6 | 5 |
| 7 | Sweeping (fast) | 2900 Hz / 2400 Hz | 10 | 5 | 24 | Sweeping (medium), UK BS5839-1 | 29 | 5 |
| 8 | Sweeping | 1200 Hz / 500 Hz | 2 | 5 | 25 | Sweeping | 29 | 5 |
| 9 | Sawtooth, DIN tone 33404-3 Germany (emergency signal), PFEER PTAP | 1200 Hz / 500 Hz | 15 | 2 | 26 | Simulated bell | 2 | 1 |
| 10 | Alternating tone | 2900 Hz / 2400 Hz | 7 | 5 | 27 | Continuous tone | 26 | 5 |
| 11 | Interrupted tone | 1000 Hz | 31 | 1 | 28 | Continuous tone | 2 | 5 |
| 12 | Alternating tone | 1000 Hz / 800 Hz | 4 | 5 | 29 | Sweeping (fast), UK BS5839-1 | 7 | 5 |
| 13 | Interrupted tone | 2400 Hz | 15 | 5 | 30 | Interrupted tone, Australia AS2220, AS1610, AS1670 | 32 | 5 |
| 14 | Interrupted tone | 800 Hz | 4 | 5 | 31 | Sweeping, IMO 3d, Germany KTA3901 evacuation alarm | 11 | 1 |
| 15 | Continuous tone | 800 Hz | 2 | 5 | 32 | Slow whoop, Australian evacuation alarm AS2220 | 26 | 1 |
| 16 | Interrupted tone | 554 Hz / 440 Hz | 18 | 5 | | | | |
| 17 | Alternating tone, France NFS 32-001 (fire alarm) | 660 Hz | 2 | 27 | | | | |

The sounder can be set externally to the respective tones of stage 2 & 3. Tone 2 is preset.

Ordering details

| Article numbers | BExS 120D | | BExS 120E | | BExDS 120D | BExDS 120E |
|-----------------|-----------------|-----------------|-----------------|-----------------|-----------------|-----------------|
| Rated voltage | 230 V AC | 24 V DC | 230 V AC | 24 V DC | 230 V AC | 230 V AC |
| | 320 76 10 0 000 | 320 76 80 0 000 | 320 78 10 0 000 | 320 78 80 0 000 | 320 89 10 0 000 | 320 81 10 0 000 |

Article numbers for other voltages on request